

Tensioned Advantage® Deluxe Electrol®

Automatic Electric Projection Screen Model



SPECIFICATION DATA

SUGGESTED SPECIFICATIONS: _____ projection screen(s), _____(H) x _____(W). The Tensioned Advantage® Deluxe screen shall have two motors, one to operate door and one to operate screen. Door motor electrically operated 120 volt (60 Hz) not more than 1.2 amp. Shall have motor mounted inside the roller, to be three wire with ground, quick reversal type, oiled for life, with automatic thermal overload cutout, integral gears, capacitor and an electric brake to prevent coasting. To have pre-set but adjustable limit switches to automatically stop fabric door in the "down" position. The door will lift to the closed position where a micro switch shall cut off the electrical current to the door motor. The roller to be of rigid aluminum. Screen motor is electrically operated 120 volt (60 Hz) not more than 2.4 amp. Shall have motor mounted inside the roller, to be three wire with ground quick reversal type, oiled for life, with automatic thermal overload cutout, integral gears, capacitor and an electric brake to prevent coasting. To have pre-set but adjustable limit switches to automatically stop picture surface in the "up" and "down" positions. The roller to be of rigid metal. Screen fabric to be seamless and mildew resistant with black masking borders standard. Each side of the fabric to have tab guide cable system to maintain even lateral tension and hold surface flat. Custom slat bar with added weight maintains vertical

tension on the screen surface. The ends of the slat to be protected by heavy duty plastic caps enclosing a preset adjustable mechanism for screen tensioning. Case shall be a white powder coated extruded aluminum. Bottom of case to be self-trimming with a built-in flange around the bottom of the case. A section of the bottom of the case shall be an aluminum door equipped with hinges so that it opens and closes automatically with the lowering and raising of the picture surface. The balance of the bottom of the case shall be a second hinged aluminum door with manual opening to provide access. Hinges shall be mounted in a concealed way. Junction box shall be internally integrated into the housing making it possible to install the housing and wire to the building's electrical system during construction. The junction box shall contain a quick connect connector that is mounted in the housing for easy plug-in connection to the motorized fabric and roller assembly. The motorized fabric and roller assembly to be installed in the case at the factory or at a later time at the job site. To be complete with integrated low voltage control unit and three position control switch and cover plate. Suitable for use in environmental air space in accordance with section 300-22 (c) of the National Electric Code, and sections 2-128, 12-010 (3) and 12-100 of the Canadian Electrical Code, part 1, CSA C22.1. Screen to be listed by Underwriters' Laboratories.



HDTV (16:9) Format Dimensions

Viewing Area (H x W)		Nominal Diagonal		Overall Length of Case* For Vinyl Surfaces**		Overall Length of Case* For Parallax Surface		Approx. Ship. Wt.	
In.	Cm	In.	Cm	In.	Cm	In.	Cm	Lbs.	Kg
45" x 80"	114 x 203	92"	234	102¾"	261	101¾"	258	125	56.7
52" x 92"	132 x 234	106"	269	115¼"	293	114¼"	290	140	63.5
54" x 96"	137 x 244	110"	279	119¾"	304	118¾"	302	145	65.8
58" x 104"	147 x 264	119"	302	128¾"	326	127¼"	323	150	68
65" x 116"	165 x 295	133"	338	141¼"	359	-	-	163	73.9
78" x 139"	198 x 353	159"	404	166¼"	422	-	-	188	85.3
90" x 160"	229 x 406	184"	467	184¼"	468	-	-	203	92.3

Wide (16:10) Format Dimensions

Viewing Area (H x W)		Nominal Diagonal		Overall Length of Case* For Vinyl Surfaces**		Overall Length of Case* For Parallax Surface		Approx. Ship. Wt.	
In.	Cm	In.	Cm	In.	Cm	In.	Cm	Lbs.	Kg
50" x 80"	127 x 203	94"	239	103¾"	262	102¼"	260	125	56.7
57½" x 92"	146 x 234	109"	277	116¼"	295	114¾"	291	148	67.1
60" x 96"	152 x 244	113"	287	120¾"	307	-	-	145	65.8
65" x 104"	165 x 264	123"	312	129¼"	328	-	-	150	68
69" x 110"	175 x 279	130"	330	135¾"	345	-	-	157	71.2
72½" x 116"	184 x 295	137"	348	142¼"	361	-	-	170	77.1
87" x 139"	221 x 353	164"	417	163¾"	415	-	-	188	85.3
100" x 160"	254 x 406	189"	480	185¼"	471	-	-	203	92.1

Video (NTSC 4:3) Format Dimensions

Viewing Area (H x W)		Nominal Diagonal		Overall Length of Case* For Vinyl Surfaces**		Approx. Ship. Wt.	
In.	Cm	In.	Cm	In.	Cm	Lbs.	Kg
43" x 57"	109 x 145	72"	183	79¼"	201	102	46.3
50" x 67"	127 x 170	84"	213	90¼"	229	114	51.7
60" x 80"	152 x 203	100"	254	104¼"	265	125	56.7
69" x 92"	175 x 234	120"	305	118¼"	300	148	67.1
87" x 116"	221 x 295	150"	381	145¼"	369	170	77.1
108" x 144"	274 x 366	180"	457	170¼"	432	189	85.7
120" x 160"	305 x 406	200"	508	187¼"	476	203	92.1

*Case length does not include flange

**Vinyl surfaces include all HD Progressive, Da-Mat, Da-Tex and Dual Vision surfaces

PRODUCT NOTES

- All screens except Parallax standard with 12" black drop at the top. Screens with Parallax surface standard with 2" of black drop at the top. Extra drop may alter case dimensions. Contact Da-Lite for details.
- Overall case length dimensions +/- 1/4" (6mm).
- Detail dimensional drawings, wiring diagrams and installation instructions available upon request.
- Specifications subject to change without notice.
- Custom formats and sizes available upon request.

SURFACE INFORMATION

- All viewing surfaces are standard with black backing except Da-Tex® and Dual Vision.
- Parallax available in sizes up to 58" x 104" in HDTV format and 57 1/2" x 92" in Wide format.
- HD Progressive 1.1 Perf and HD Progressive 1.1 Contrast Perf available in sizes up to 87" x 116" in Video format and 78" x 139" in HDTV format.
- All surfaces will be seamless in the image area.
- All HD Progressive, Da-Mat, Da-Tex and Dual Vision surfaces are fire retardant.

WHEN ORDERING, MARK APPROPRIATE SELECTIONS

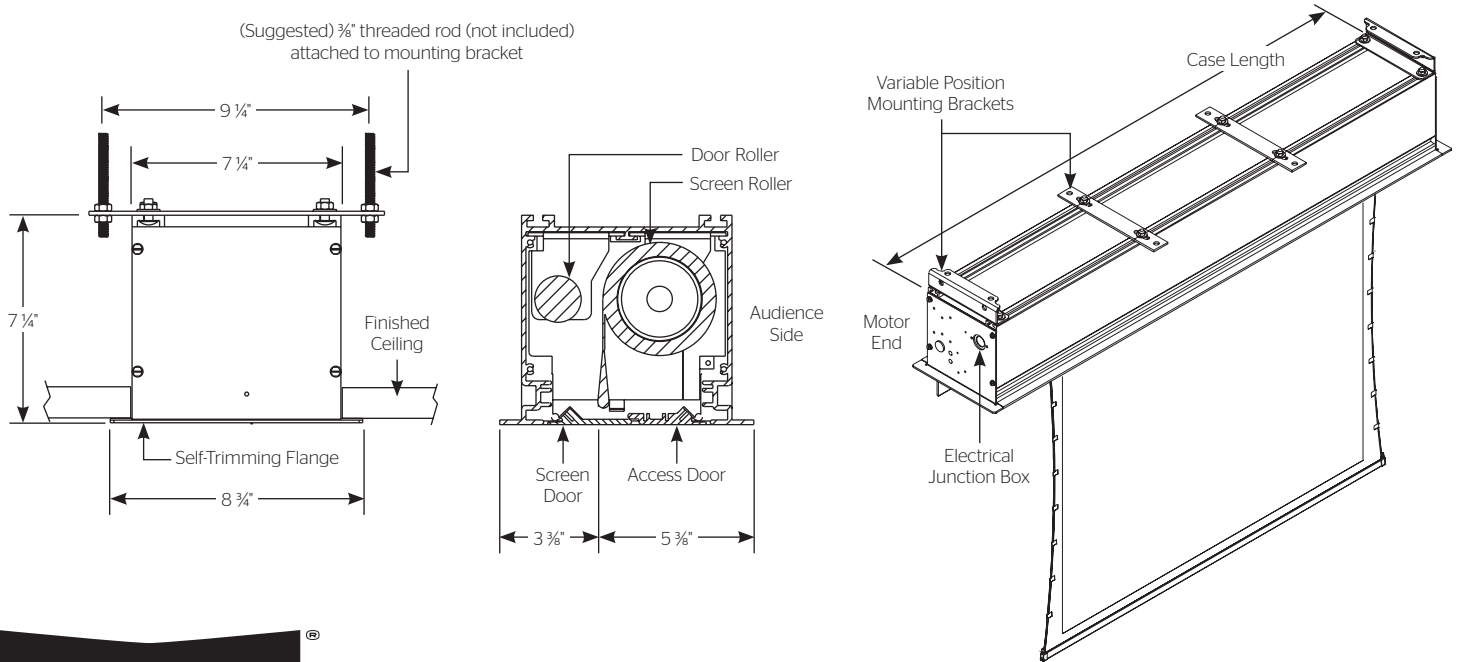
- Select Size from Charts.
- Select Viewing Surface (All Da-Lite surfaces are GREENGUARD GOLD Certified.):

<input type="radio"/> Parallax 0.8	<input type="radio"/> HD Progressive 1.1 Contrast Perf
<input type="radio"/> HD Progressive 0.6	<input type="radio"/> HD Progressive 1.3
<input type="radio"/> HD Progressive 0.9	<input type="radio"/> Da-Mat®
<input type="radio"/> HD Progressive 1.1	<input type="radio"/> High Contrast Da-Mat®
<input type="radio"/> HD Progressive 1.1 Perf	<input type="radio"/> Da-Tex® (Rear)
<input type="radio"/> HD Progressive 1.1 Contrast	<input type="radio"/> Dual Vision
- Options:

<input type="checkbox"/> 220 Volt (50 Hz) Motor.	<input type="checkbox"/> SCB-100 RS-232 Serial Control Board - built-in.
<input type="checkbox"/> Video Projector Interface Control - built-in	<input type="checkbox"/> NET-100 Ethernet-Serial Adapter
- Optional Accessories:

<input type="checkbox"/> Wireless Remote Control for LVC.	<input type="checkbox"/> Key Locking Cover Plate for LVC Switch.
<input type="checkbox"/> Radio Frequency Remote.	
<input type="checkbox"/> Radio Frequency Range Extender	
<input type="checkbox"/> Infrared Remote.	

SUGGESTED CEILING INSTALLATION



A BRAND OF MILESTONE AV TECHNOLOGIES

www.milestone.com
 P 800.622.3737 / 574.267.8101
 F 877.325.4832 / 574.267.7804
 E info@da-lite.com

In British Columbia, Milestone AV Technologies ULC carries on business as MAVT Milestone AV Technologies ULC.

©2017 Milestone AV Technologies. DL-0167 (Rev. 7) 0118.
 Da-Lite is a registered trademarks of Milestone AV Technologies. All other brand names or marks are used for identification purposes and are trademarks of their respective owners. All patents are protected under existing designations. Other patents pending.

Project Name:	_____
Architect:	_____
Contractor:	_____ Phone: _____
Reseller:	_____ Phone: _____