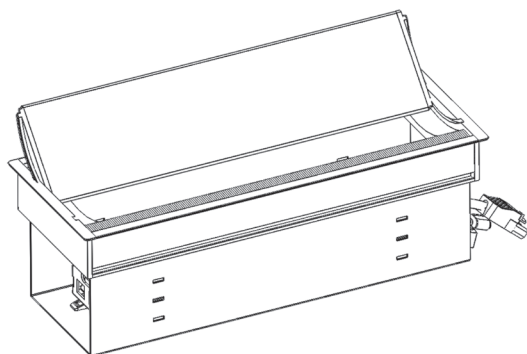
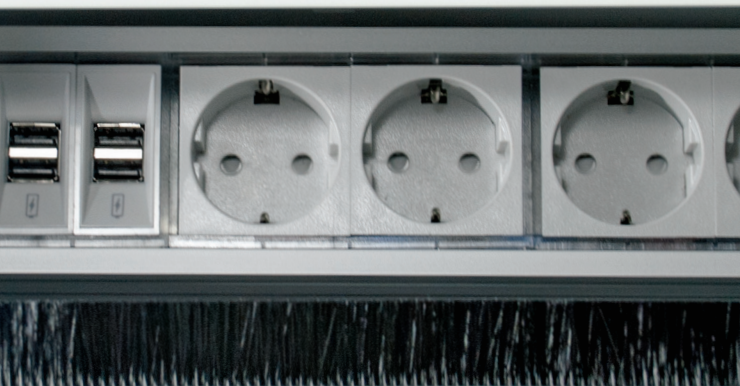
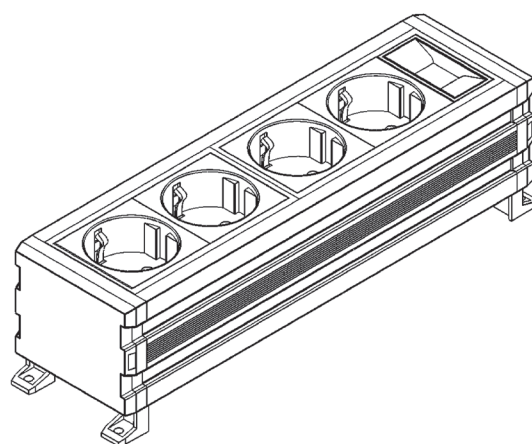


CONFERENCE SET

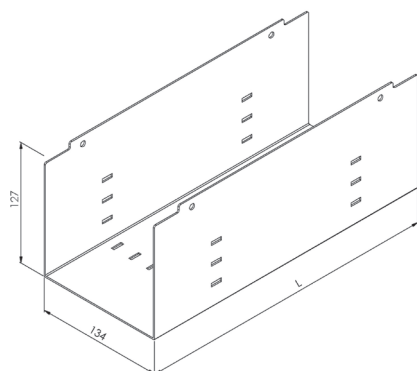
swing and plug



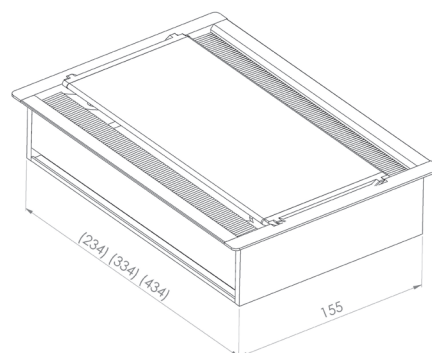
"Tub" with rosette



Universal power data – UPD



„Tub“ dimension



Rosette dimension

FIXATION:

With a screw-thickness of the table at least 38mm

AVAILABLE IN THREE LENGTHS:	Nº OF MODULES
L=220mm (Conference min)	to 7 modules
L=320mm (Conference mid)	to 11 modules
L=420mm (Conference max)	to 14 modules
	(1 module is length 26,6mm)

THE DIMENSIONS OF THE HOLES IN THE TABLE:
156x235mm (Conference min)
156x335mm (Conference mid)
156x435mm (Conference max)