

KROSS FLIP

Free up your workspace

Perfect for your collaborative spaces, the **mobile stand** KROSS FLIP **frees up your workspace** for the user.



Portrait



Landscape



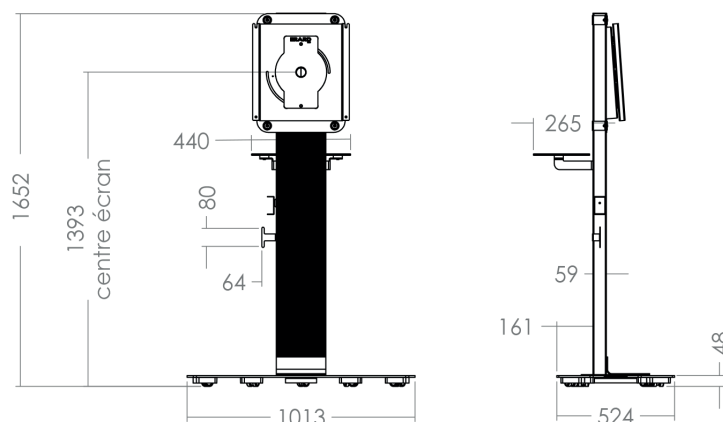
Side view

Technical characteristics

- **Easy-to-handle stand** even in the narrow spaces thanks to its thin profile
- Cable management in the column
- Easy 90° rotation (anti-clockwise) to use the Flip screen in **portrait** or **landscape** mode
- **Connectivity offset** with USB-B jack, HDMI, RJ45 and power supply for an easy screen spinning
- Adjustable height
- VESA 400 mount
- 5° tilted screen makes the tactile input more **ergonomic**
- **Adjustable** glass shelf to fix in the back of the column (optional)

Included accessories

- Magnetic pen holder
- Cable rewriter



Dimensions

Warranty 5 years

ERARD®
PRO