

# SF 26CT Series

SOUNDFIELD XD 6.5" TWO-WAY CEILING SPEAKERS  
FOR PLENUM ENVIRONMENTS



*SoundField XD*



**Plenum**  
RATED

The Extron SoundField® XD SF 26CT models are 6.5" two-way ceiling speakers for use in standard or restricted height ceiling environments. With the AV industry's first UL 2043 listed composite speaker enclosure, the SF 26CT series meets stringent UL requirements for smoke and heat release in plenum air spaces. A magnetically attached grille with a thin-edged bezel gives the SF 26CT series a refined appearance on the ceiling. The SF 26CT series offers direct 8 ohm and 70/100 volt operation with a behind-the-grille, six position power tap selector switch. With high impedance taps at 8, 16, 32, and 64 watts, the SF 26CT series can be used in applications where a high power distributed speaker system is needed.

- ▶ 6.5" (165-mm) long throw woofer
- ▶ 3/4" (19-mm) ferrofluid-cooled dome tweeter
- ▶ Two models available:
  - SF 26CT Standard 8" (203 mm) back can
  - SF 26CT LP Low profile 4.2" (107 mm) back can
- ▶ 130 watts continuous program
- ▶ 8 ohm direct or 70/100 volt operation
- ▶ Locking arms support ceilings up to 2.25" (57.1 mm) thick
- ▶ UL 2043 plenum rated enclosure

**Extron**

## DESCRIPTION

The **SF 26CT** series provides a wide and smooth frequency range and is engineered to ensure excellent on and off axis voice intelligibility. A power rating of 130 watts continuous program also gives this speaker plenty of headroom for music reproduction in moderate to high output systems.

### Designed for Pro AV

The SF 26CT series represents a paradigm shift in speaker technology for pro AV applications. We designed these models from the ground up with innovative materials, modular construction, and unique features, to provide significant cost savings and superior performance.

### Voicing Consistency

The SF 26CT Series is voiced consistently with the Extron SF 26PT pendant speaker to ensure smooth sonic transitions in applications when the listener moves between drop-ceiling and open-ceiling areas.

### Plenum Rated Composite Enclosure

The ideal speaker enclosure is constructed in such a way as to avoid internal standing waves and resonances in the enclosure itself. It must also be lightweight and fire tested for use in plenum air-handling spaces. We were able to achieve all of these requirements by injection molding the enclosure with a fire resistant composite material. The result is a rigid, acoustically damped, lightweight, plenum rated enclosure that is UL 2043 listed.

### Magnetically Attached Aesthetically Pleasing Grille

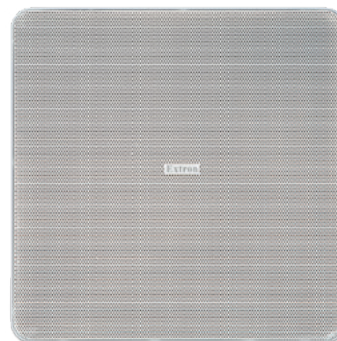
The SF 26CT series features a finely perforated round metal grille with a thin-edged rounded bezel for a refined appearance on the ceiling. The grille securely attaches magnetically to the baffle and quickly snaps into place. An optional square grille is available with the same finely perforated metal and thin-edged rounded bezel. This gives the owner, architect, or interior designer an additional choice for matching the décor. The grilles are white and can be painted to match the architectural elements of the environment.

### Low Profile Back Can - SF 26CT LP

The SF 26CT LP features a 4.2" (107 mm) back can for installation into restricted height plenum environments. This model can be used for entire installations or in combination with the similarly voiced SF 26CT and SF 26PT models, as architecturally required.

## FEATURES

- ▶ 6.5" (165-mm) long throw woofer
- ▶ 3/4" (19-mm) ferrofluid-cooled dome tweeter
- ▶ Two models available:
  - Standard 8" (203 mm) back can
  - Low profile 4.2" (107 mm) back can
- ▶ Frequency range:
  - SF 26CT: 65 Hz to 22 kHz
  - SF 26CT LP: 85 Hz to 20 kHz
- ▶ Conical dispersion
  - SF 26CT: 111°
  - SF 26CT LP: 95°
- ▶ 65 watts continuous pink noise,  
130 watts continuous program
- ▶ 8 ohm direct or 70/100 volt operation on a 6 position, behind-the-grille selector:
  - 8 ohm direct
  - 70 volt: 64, 32, 16, and 8 watt selectable
  - 100 volt: 64, 32, and 16 watt selectable
- ▶ Magnetically attached grille with a thin bezel for a refined appearance
- ▶ Grille and bezel are white and can be painted to match any environment
- ▶ Separable back can and baffle supports both single-trade and division-of-labor applications
- ▶ Modular V-rail and folding C-ring kit included
- ▶ Opti-Torque indicator rings prevent overtightening of locking arm screws
- ▶ Locking arms support ceilings up to 2.25" (57.1 mm) thick
- ▶ UL 2043 plenum rated enclosure
- ▶ 5-year parts and labor warranty

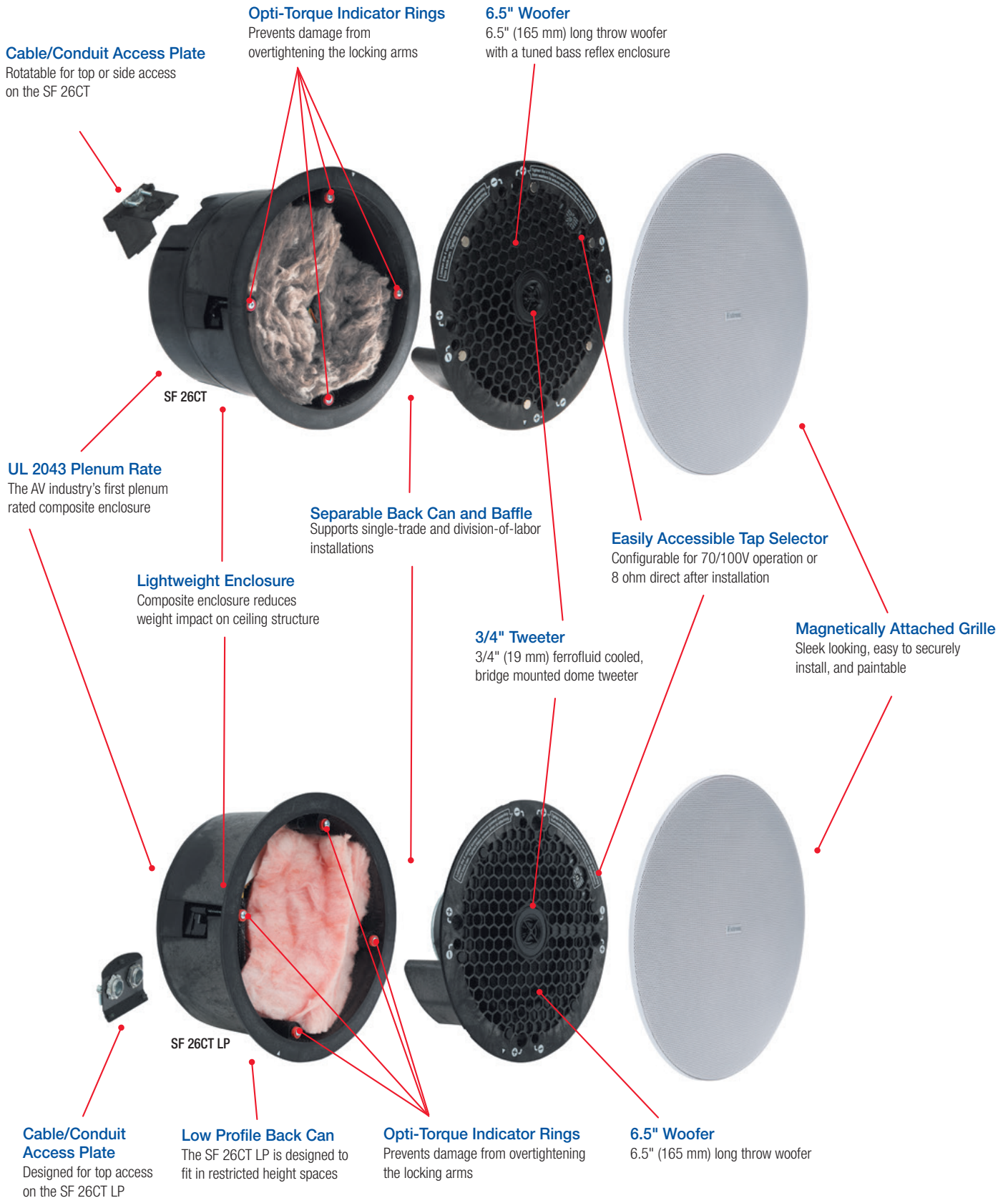


### Optional Square Grille Kit

The SGK SF26C is for applications with square design elements

# THE CEILING SPEAKER REIMAGINED

The SF 26CT series represents a paradigm shift in speaker technology for pro AV applications. Designed from the ground up with innovative materials, modular construction, and unique features, these SoundField XD speakers provide significant savings and superior performance.



# DESIGNED FOR THE INTEGRATOR

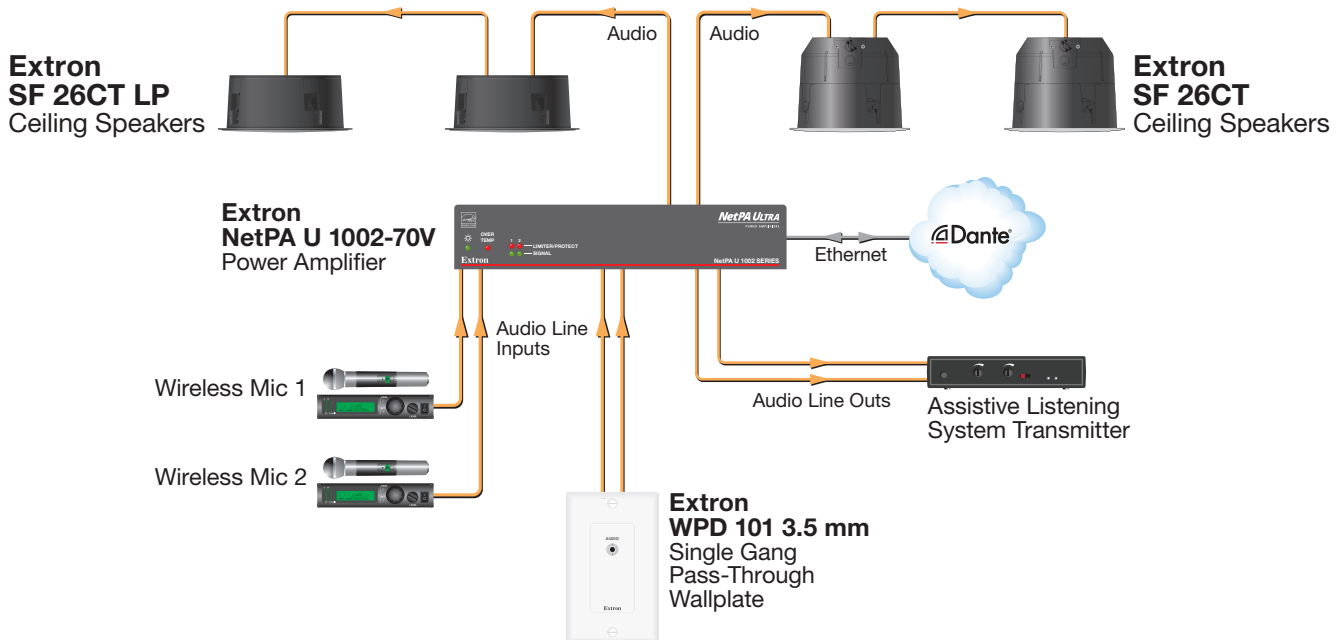
## Two-Piece Design for Installation Flexibility

Shipped as a complete speaker assembly, the SF 26CT series is ideal for both single-trade and division-of-labor installations. The complete speaker can be installed by a single contractor as a self-contained unit for retrofits and new construction. For larger projects with multiple trades, the back can and speaker baffle can be separated, allowing the rough-in contractor to install and fully terminate the back can. Once the job site is clean and secure, the AV integrator can then easily install the speaker baffle and grille. For both models, the back can and speaker baffle are available separately for installations with a long period of time between rough-in and final installation.



## Mixed Height Plenum Spaces and Consistent Voicing

The application diagram shown below illustrates the use of SF 26CT and SF 26CT LP models within a room when some areas of the room have restricted plenum space. Since the models of the SF 26CT series are voiced consistently with each other, and use the same drivers, audible transitions between areas of the room can be minimized.



## MODULAR V-RAILS AND FOLDABLE C-RINGS

To facilitate installation in a T-bar ceiling, modular V-rails and foldable C-rings are included with the SF 26CT series. The V-rails have been designed as a two-part assembly that can be snapped together in the field.



Put Two Pieces Together at 90° Angle



Straighten to 180° Angle

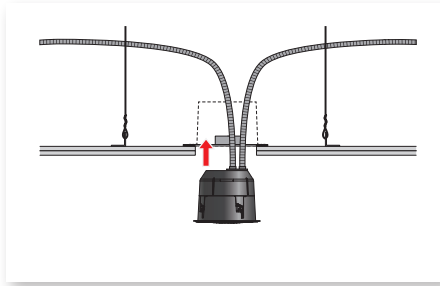


V-Rail Locks into Place

The foldable C-rings have been designed to make it easier to get them into place, even in blind-mount drywall applications. Snake the C-ring up through the speaker cut-out hole, unfold it, and position it as needed. The result is a continuous metal support around the entire cut-out, resulting in a more secure attachment to the ceiling.



Insert C-Ring in Ceiling



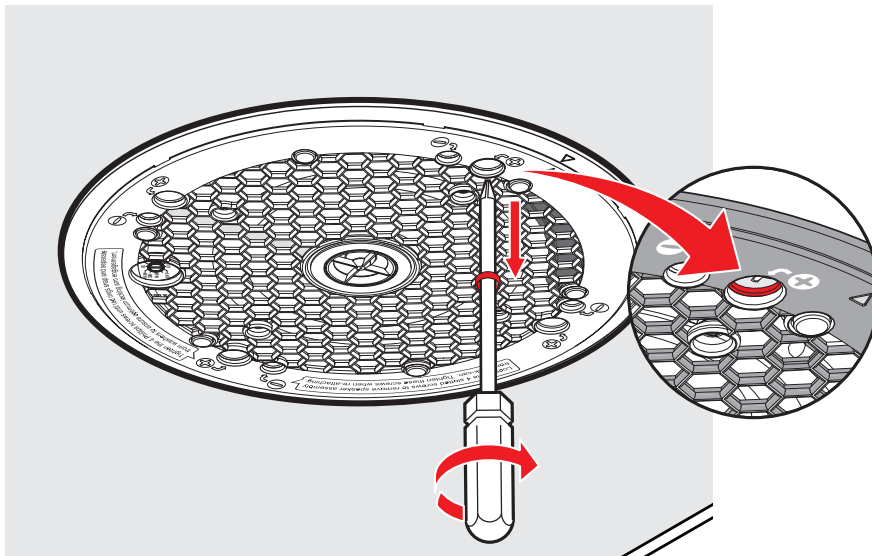
Spread Open C-Ring



Lay Flat

### Opti-Torque Indicator Rings

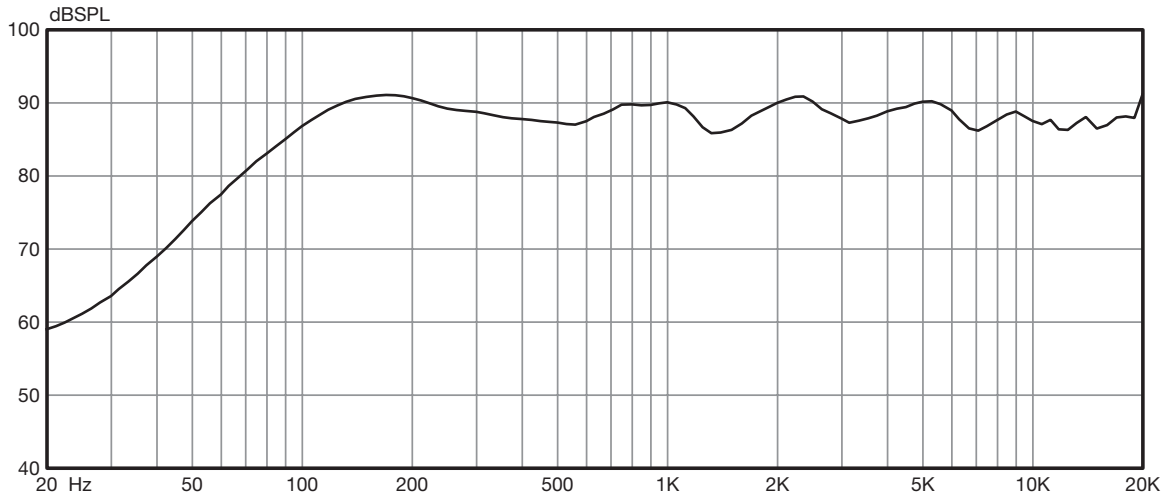
The SF 26CT series features exclusive Opti-Torque™ indicator rings that provide a visual indication when the locking arm screws have been sufficiently tightened, preventing damage to the speaker caused by overtightening. When the installation technician is tightening the locking arms, the red Opti-Torque™ indicator ring audibly snaps when the proper torque has been applied. As a visual indicator, the red ring drops down onto the screwdriver shaft, signaling to the technician that the proper force has been applied.



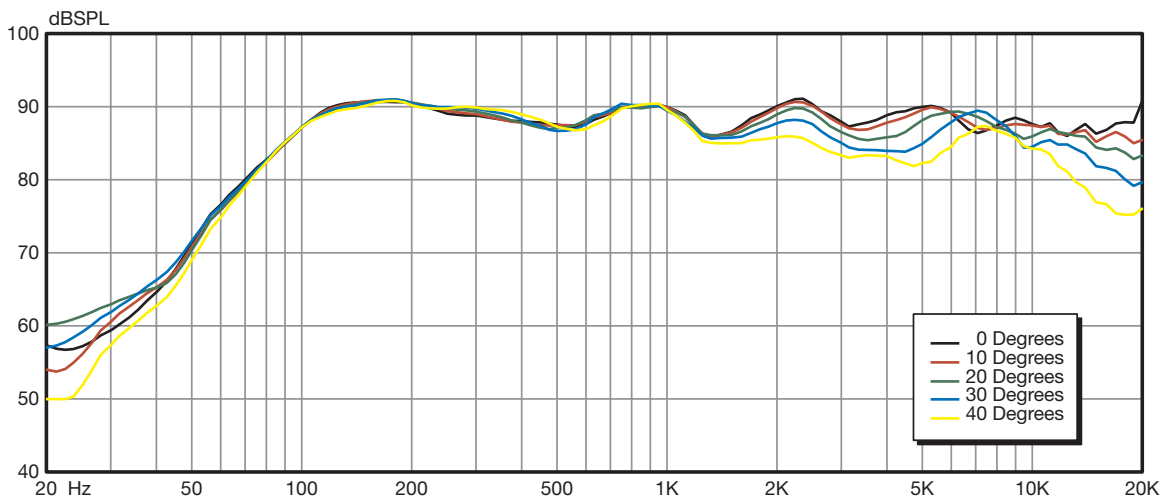
Opti-Torque Indicator Ring drops onto screwdriver shaft

# SF 26CT - RESPONSE GRAPHS - FREQUENCY AND IMPEDANCE

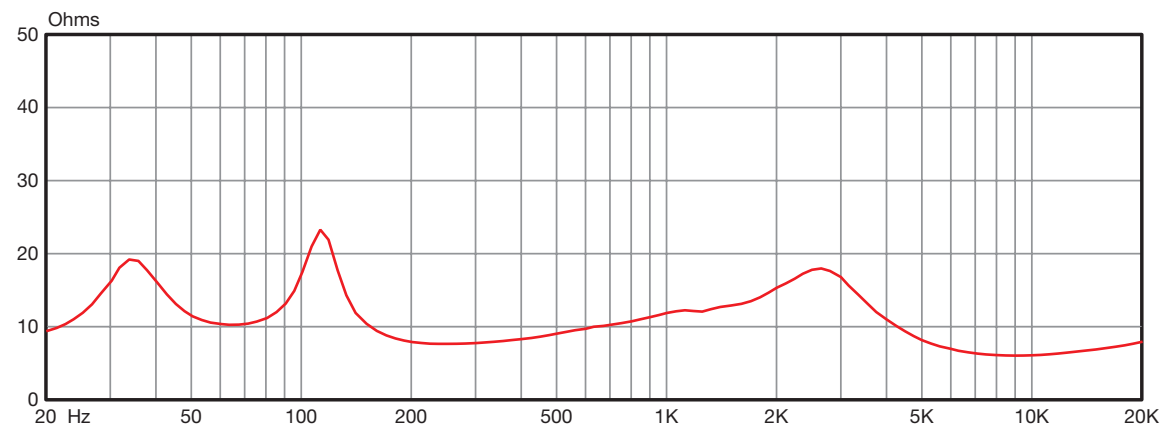
## SPL VS. FREQUENCY - 1 WATT @ 1 METER RESPONSE, HALF SPACE ( $2\pi$ )



## SPL VS. FREQUENCY - HORIZONTAL OFF-AXIS RESPONSE, HALF SPACE ( $2\pi$ )



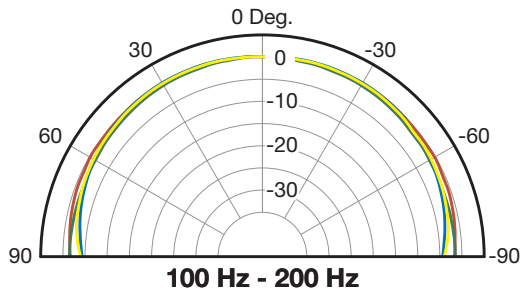
## IMPEDANCE VS. FREQUENCY



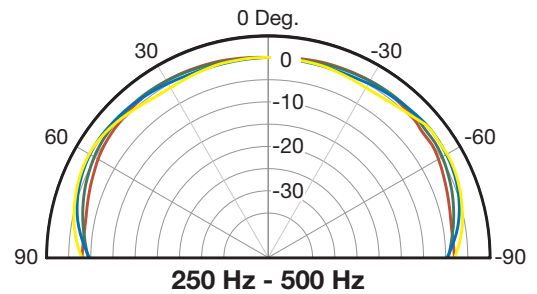


# SF 26CT - POLAR GRAPHS - 1/3 OCTAVE, Horizontal

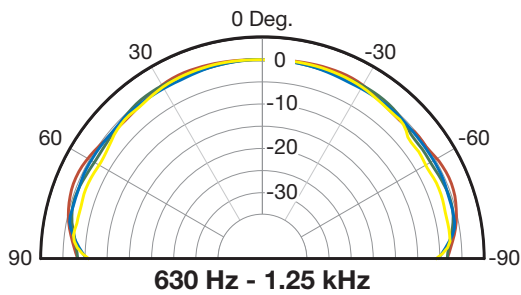
100.00 Hz      160.00 Hz  
 125.00 Hz      200.00 Hz



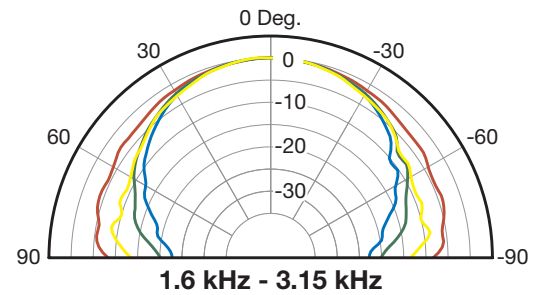
250.00 Hz      400.00 Hz  
 315.00 Hz      500.00 Hz



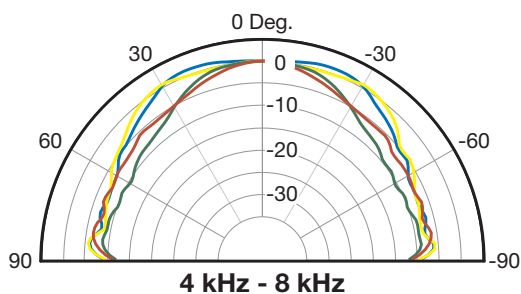
630.00 Hz      1.00 kHz  
 800.00 Hz      1.25 kHz



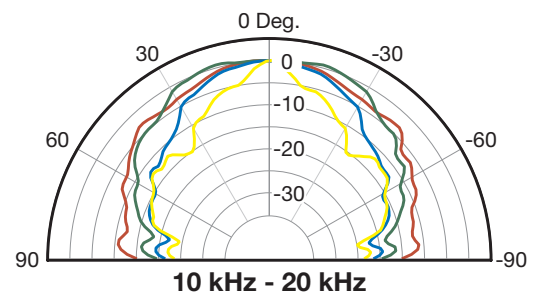
1.60 kHz      2.50 kHz  
 2.00 kHz      3.15 kHz



4.00 kHz      6.30 kHz  
 5.00 kHz      8.00 kHz

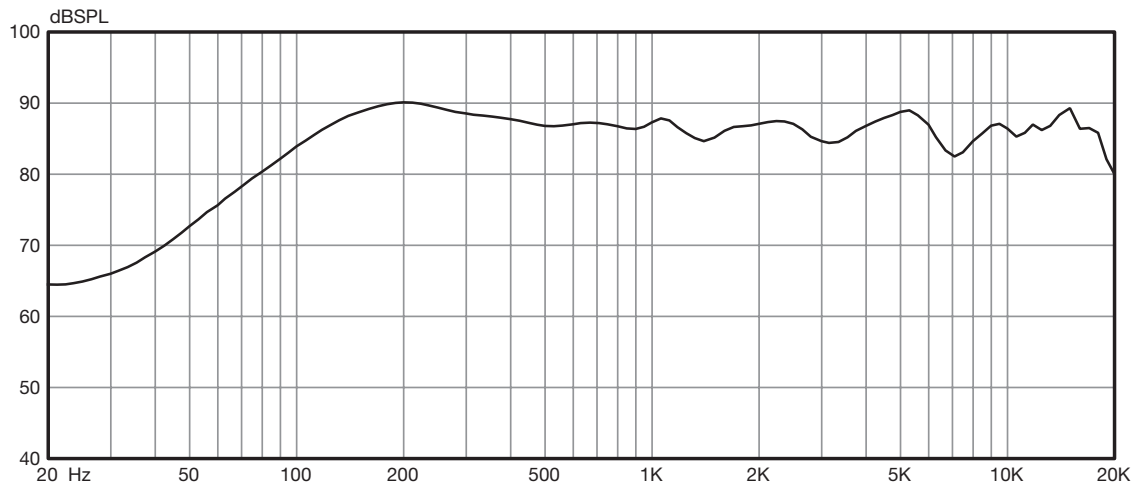


10.00 kHz      16.00 kHz  
 12.50 kHz      20.00 kHz

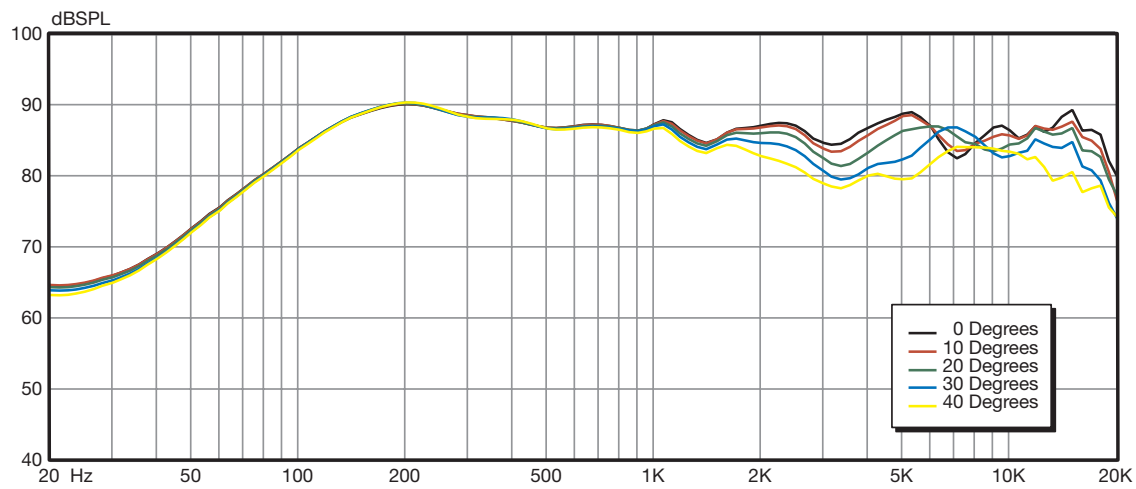


# SF 26CT LP - RESPONSE GRAPHS - FREQUENCY AND IMPEDANCE

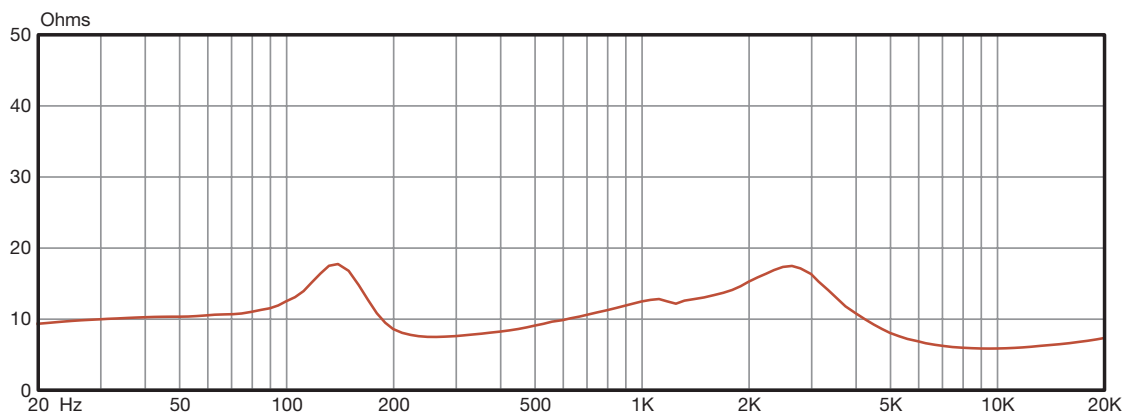
## SPL VS. FREQUENCY - 1 WATT @ 1 METER RESPONSE, HALF SPACE ( $2\pi$ )



## SPL VS. FREQUENCY - HORIZONTAL OFF-AXIS RESPONSE, HALF SPACE ( $2\pi$ )

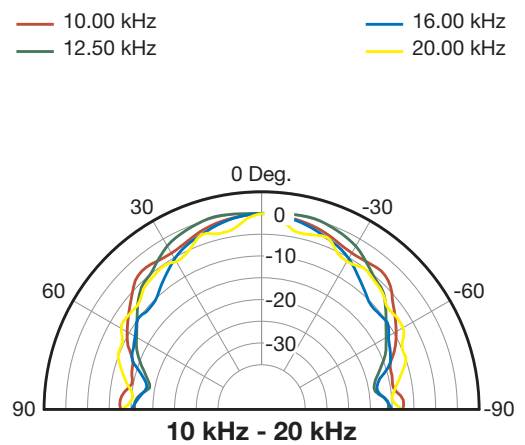
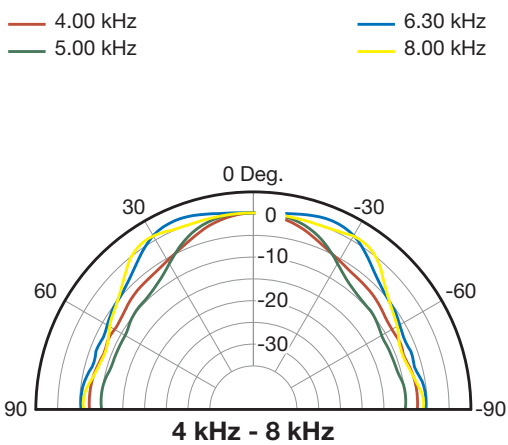
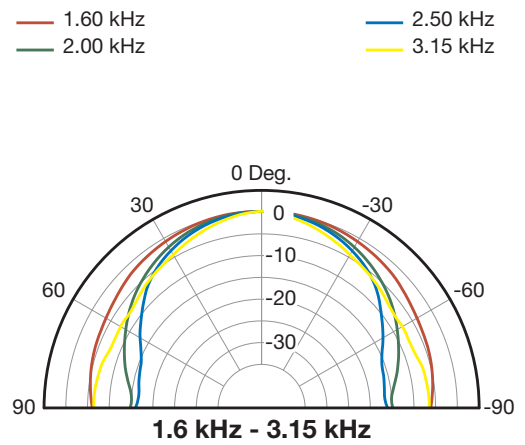
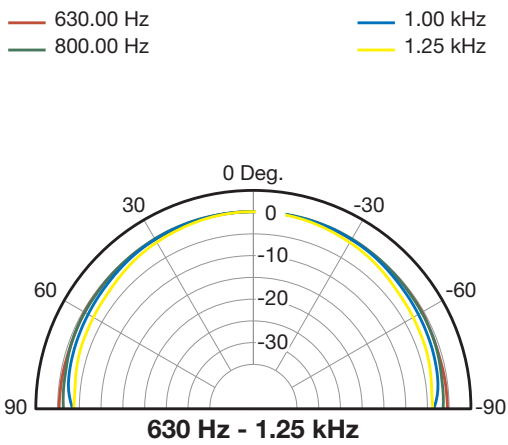
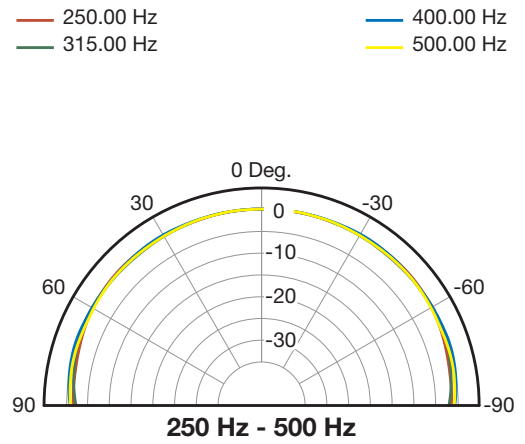
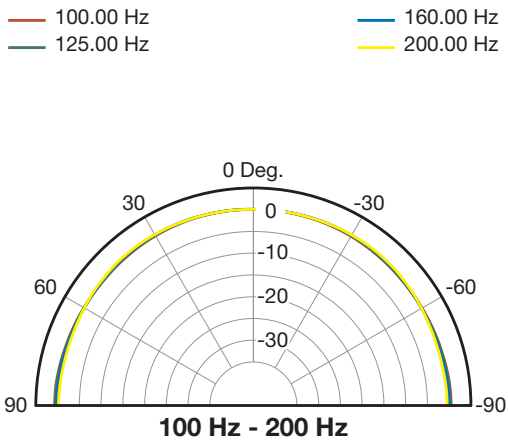


## IMPEDANCE VS. FREQUENCY

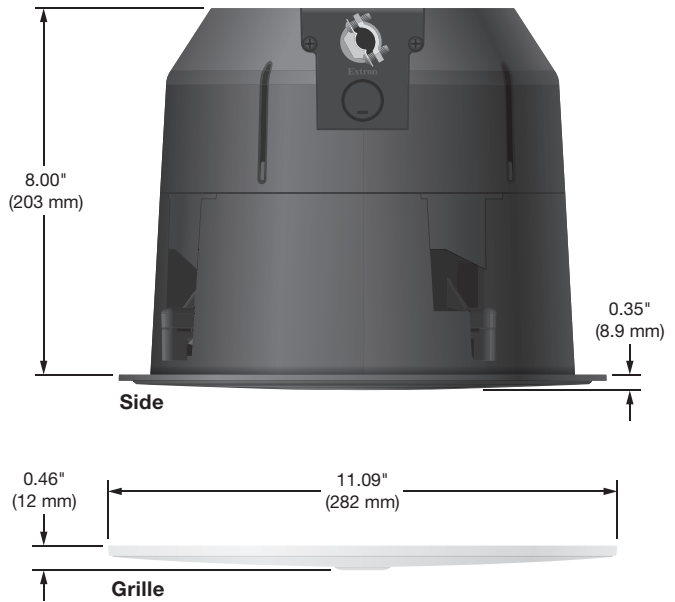
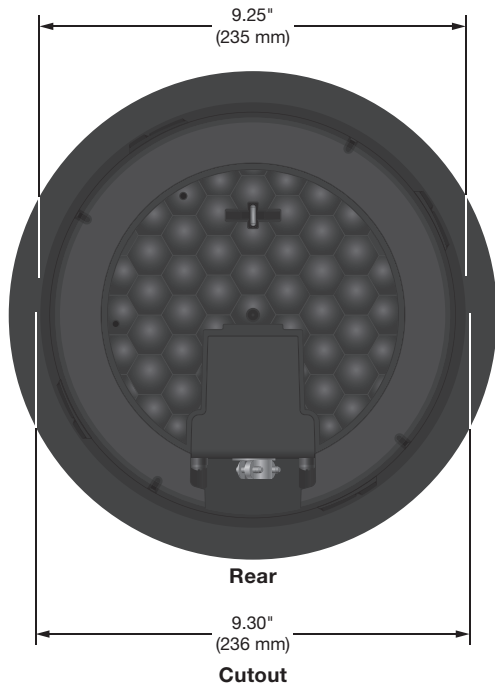
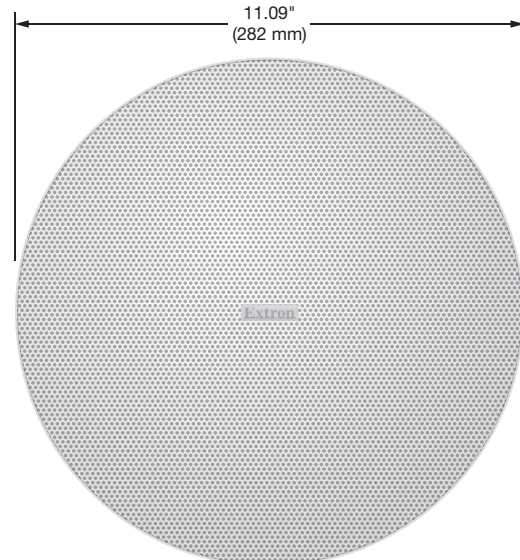
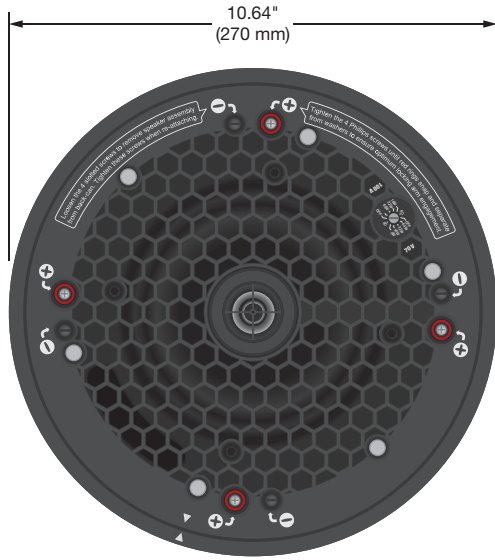




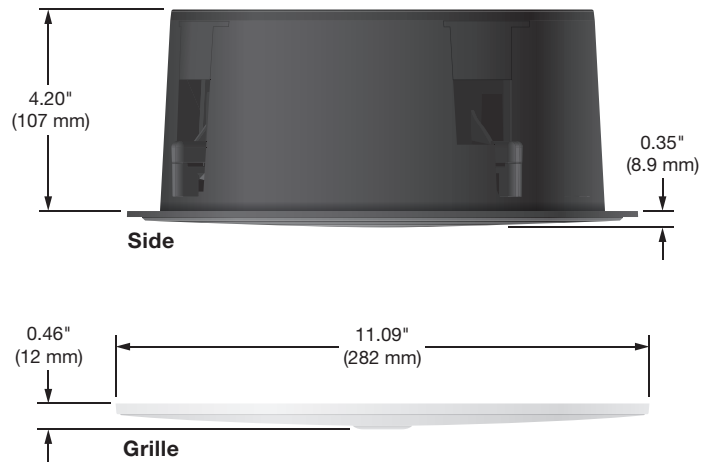
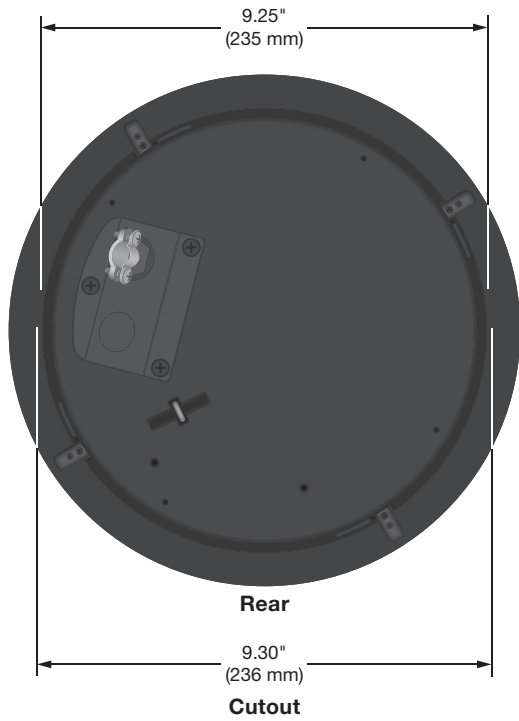
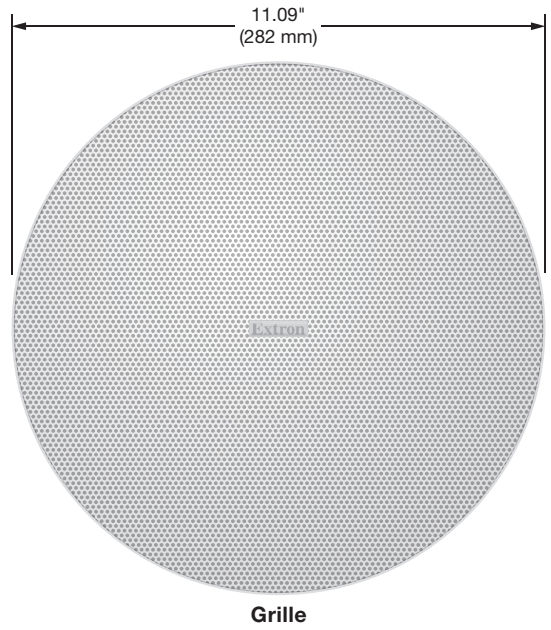
# SF 26CT LP - POLAR GRAPHS - 1/3 OCTAVE, HORIZONTAL



# SF 26CT - PANEL DRAWINGS



# SF 26CT LP - PANEL DRAWINGS



# SPECIFICATIONS

## SF 26CT

AUDIO/ACOUSTIC AND ELECTRICAL		
Speaker type	2-way ceiling speaker with composite back can	
Frequency range	65 Hz to 22 kHz, -10 dB, half space (per IEC 60268-5)	
Frequency response	88 Hz to 22 kHz, +/-3dB, half space	
Power capacity	65 W (rms) continuous pink noise 130 W (rms) continuous program	
Rated maximum input voltage (MIV)	22.4 V (62.6 W at 8 ohms) (per AES2-2012)	
Maximum SPL	104 dB, 1 m (based on MIV) 106 dB, 1 m (linear)	
Nominal sensitivity	88 dB SPL, 1W, 1 m, half space	
Nominal impedance	8 ohms per speaker	
Nominal coverage angle	111° conical coverage (1 kHz to 4 kHz)	
Drivers		
Woofer	(1) 6.5" (165 mm) polypropylene cone with moisture resistant coating	
Tweeter	(1) 0.75" (19.1 mm) PEI dome	
Rotary switch taps	70 V: 64 W, 32 W, 16 W, 8 W, 8 ohms direct 100 V: null, 64 W, 32 W, 16 W, 8 ohms direct	
Overload protection	Full range power limiter with the 8 ohm direct input only, protecting the tweeter, woofer, and crossover	
Input connector	(1) 5 mm captive screw connector, 4 pole for 1 input and 1 loop-through	
GENERAL		
Package	2 speakers (1 pair)	
Included accessories	Cutout template/paint shield, setup guide, mounting screws, 4 V-rails, 2 C-rings, 2 round grilles, 2 cable clamps, 2 captive screw connectors	
Temperature/humidity	Storage: -40 to +158°F (-40 to +70°C) / 10% to 90%, noncondensing Operating: +32 to +122°F (0 to +50°C) / 10% to 90%, noncondensing	
Mounting	Ceiling mountable with included hardware	
Enclosure type	Plenum rated, fire-resistant (UL94V-0) composite back can/baffle; Magnetically attached powder-coated steel grille with plastic bezel.	
Enclosure outer dimensions	8.34" H x 10.64" diameter (211.8 mm x 270.3 mm diameter) 8.0" H (203.2 mm H) from front of ceiling tile to back of rear enclosure	
Cutout dimensions	9.3" diameter (236.2 mm diameter)	
Product weight	9.4 lbs (4.3 kg) each	
Regulatory compliance		
Safety	CE, UL 2043, UL1480, NFPA 90A, NFPA 70 UL Listed for use in plenum airspaces: UL 2043 listed for heat and smoke release, UL 1480 listed for commercial and professional audio systems	
Environmental	RoHS, WEEE	
Product warranty	5 years parts and labor	
<b>NOTE:</b> All nominal levels are at ±10%.		
Model	Version Description	Part Number
SF 26CT	6.5" 2-Way Ceiling Spkrs, 70/100V, Complete Pair	60-1310-03
BCK SF 26CT	SF 26CT back can only, pair, 1 of 2	70-1268-01
DAK SF 26CT	SF 26CT driver/baffle assembly only, pair, 2 of 2	70-1268-03

For complete specifications, please go to [www.extron.com](http://www.extron.com)  
Specifications are subject to change without notice.

## SF 26CT LP

AUDIO/ACOUSTIC AND ELECTRICAL		
Speaker type	2-way ceiling speaker with composite back can	
Frequency range	85 Hz to 20 kHz, -10 dB, half space (per IEC 60268-5)	
Frequency response	110 Hz to 6.5 kHz, +/-3dB, half space	
Power capacity	65 W (rms) continuous pink noise 130 W (rms) continuous program	
Rated maximum input voltage (MIV)	22.4 V (62.6 W at 8 ohms) (per AES2-2012)	
Maximum SPL	104 dB, 1 m (based on MIV) 106 dB, 1 m (linear)	
Nominal sensitivity	88 dB SPL, 1W, 1 m, half space	
Nominal impedance	8 ohms per speaker	
Nominal coverage angle	95° conical coverage (1 kHz to 4 kHz)	
Drivers		
Woofer	(1) 6.5" (165 mm) polypropylene cone with moisture resistant coating	
Tweeter	(1) 0.75" (19.1 mm) PEI dome	
Rotary switch taps	70 V: 64 W, 32 W, 16 W, 8 W, 8 ohms direct 100 V: null, 64 W, 32 W, 16 W, 8 ohms direct	
Overload protection	Full range power limiter with the 8 ohm direct input only, protecting the tweeter, woofer, and crossover	
Input connector	(1) 5 mm captive screw connector, 4 pole for 1 input and 1 loop-through	
GENERAL		
Package	2 speakers (1 pair)	
Included accessories	Cutout template/paint shield, setup guide, mounting screws, 4 V-rails, 2 C-rings, 2 round grilles, 2 cable clamps, 2 captive screw connectors	
Temperature/humidity	Storage: -40 to +158 °F (-40 to +70 °C) / 10% to 90%, noncondensing Operating: +32 to +122 °F (0 to +50°C) / 10% to 90%, noncondensing	
Mounting	Ceiling mountable with included hardware	
Enclosure type	Plenum rated, fire-resistant (UL94V-0) composite back can/baffle; Magnetically attached powder-coated steel grille with plastic bezel.	
Enclosure outer dimensions	4.72" H x 10.64" diameter (119.9 mm x 270.3 mm diameter) 4.2" H (106.7 mm H) from front of ceiling tile to back of rear enclosure	
Cutout dimensions	9.3" diameter (236.2 mm diameter)	
Product weight	8.6 lbs (3.9 kg) each	
Regulatory compliance		
Safety	CE, UL 2043, UL1480, NFPA 90A, NFPA 70 UL Listed for use in plenum airspaces: UL 2043 listed for heat and smoke release, UL 1480 listed for commercial and professional audio systems	
Environmental	RoHS, WEEE	
Product warranty	5 years parts and labor	
<b>NOTE:</b> All nominal levels are at ±10%.		
Model	Version Description	Part Number
SF 26CT LP	6.5" LowProfile 2-Way Ceiling Spkrs, Complete Pair	60-1881-03
BCK SF 26CT LP	SF 26CT Low Profile back can only, pair, 1 of 2	70-1283-01
DAK SF 26CT LP	SF 26CT LP driver/baffle assembly only, pair, 2of2	70-1283-03

For complete specifications, please go to [www.extron.com](http://www.extron.com)  
Specifications are subject to change without notice.

### WORLDWIDE SALES OFFICES

Anaheim • Raleigh • Silicon Valley • Dallas • New York • Washington, DC • Toronto • Mexico City • Paris  
London • Frankfurt • Madrid • Stockholm • Amersfoort • Moscow • Dubai • Johannesburg • Tel Aviv • Sydney  
Melbourne • Bangalore • Mumbai • New Delhi • Singapore • Seoul • Shanghai • Beijing • Hong Kong • Tokyo

[www.extron.com](http://www.extron.com)